



Ducati 1199 Panigale S (Tamiya 14129, 14132) - chain

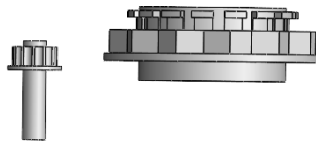
Catalog no.: FSM 036

Installation guide

Cut of all parts with the use of sharp cutter (like Tamiya 74035 Sharp Pointed Side Cutter). DO NOT break off parts from the supports as you can damage them. Take special care of:

1. Remove all the supports holding screws, central nut and rear sprocket mounting plate.

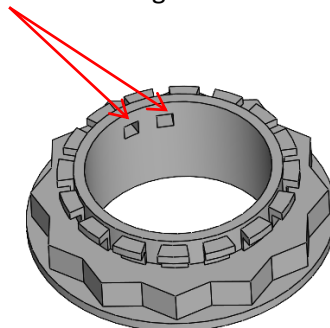
Properly cut off screw and central nut.



Rear sprocket mounting plate has flat bottom side (smooth it before attaching to the rear sprocket). Smooth also top side to remove to visibility of the printing layers.

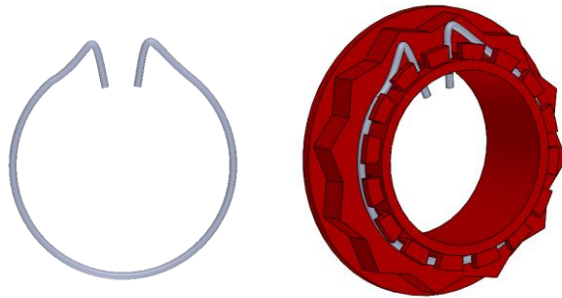
2. Correct the holes in the rear sprocket and rear sprocket mounting plate with the use of 0.65-0.7mm drill.
3. Install the rear sprocket mounting plate and secure it with screws using CA glue.
4. Create a locking cotter from the metal wire.

Note that central nut has 2 holes for a locking cotter.



The locking cotter can be done in 3 ways:

Version 1:



Version 2:



Version 3:



5. Install central nut.

Remark

The central nut can be also used on the right side of the rear wheel.