

# Falcon

## Scale Models



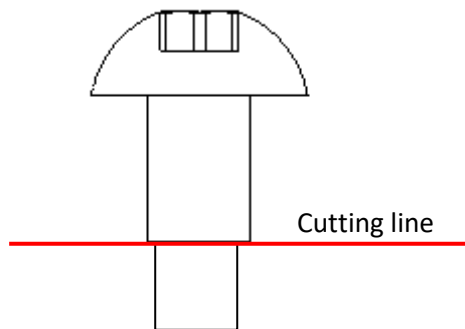
### *Cowling screws/Rivets set – general use*

**Catalog no.: FSM 9**

#### Installation guide

##### Big screws

1. Drill 0.6 mm hole for installation.
2. Gently cut off screw (using sharp cutters) from the supporting pin on the line where the decrease of cross section between screw and supporting pin takes place.

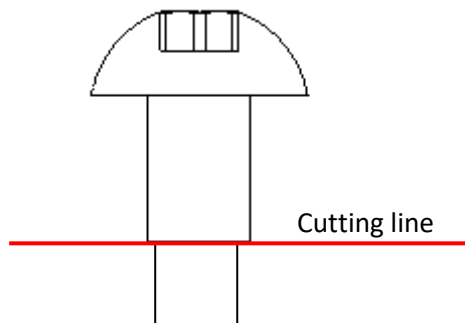


3. Use Micro Kristal Klear glue or similar to secure screw in place.

#### Installation guide

##### Small screws

4. Drill 0.5 mm hole for installation.
5. Gently cut off screw (using sharp cutters) from the supporting pin on the line where the decrease of cross section between screw and supporting pin takes place.



6. Use Micro Kristal Klear glue or similar to secure screw in place.